



THE NATIONAL TELEPHONE NUMBERING PLAN

Updated September 2024

National Communications Authority

Federal Republic of Somalia

Contents

1. Introduction.....	1
2. Structure of the Plan.....	1
Part A: Numbering Plan.....	2
B3: Non-Geographic for Mobile Telephony Services	6
Part C: National Emergency Services	7
PART D: CODES	8
D1: International Signalling Point Codes (ISPC's).....	8
D2: Mobile Network Codes (Mnc's).....	8
D3: Mobile Money Codes	8

1. Introduction

One of the functions of the National Communication Authority (“NCA”), as regulator of the electronic communications sector, is to manage the national numbering resource. NCA’s number management function, and its objectives, duties and powers in relation to that function, are set out in Section 9, articles 55, 56, 57 the National Communications Act 2017 (the “Act”).

Under the Act, NCA has a duty to:

- Publish the National Telephone Numbering Plan, setting out the telephone numbers available for allocation and any restrictions on how they may be adopted or used.
- Assign numbers for existing services
- Develop frameworks for new and innovative services
- Ensure that numbers are used in accordance with their conditions of use as set out in NCA Regulations.
- Monitor number utilization and implement number changes when and where required.

In exercising its number management function, NCA is under obligation to ensure that measures taken by it are objective, transparent, non-discriminatory and proportionate.

Numbers are a national resource and the granting of a right of use for a number does not bestow any entitlement or interest other than the right to use the number subject to all relevant statutory provisions and applicable conditions, as set by the NCA and as may be amended from time to time.

This Plan sets out the categories, structures and use of Numbers and electronic addresses for the reference of the relevant industry players who require Numbers and electronic addresses for their activities.

2. Structure of the Plan

The Plan is divided into four Parts.

2.1 **Part A** describes the minimum and maximum numbers length, the country codes, national access codes format and fixed telephony codes format.

2.2 **Part B** sets out the Numbering Plan for geographical fixed telephony services and non-geographical mobile telephony services.

2.3 **PART C** sets out the National Emergency and safety codes.

2.4 **PART D** sets out other codes such International Signalling Point Codes (ISPC), Mobile Country Codes and Mobile Network Codes (MCC - MNC)

Part A: Numbering Plan

The minimum number length (excluding the International Prefix) is Seven (7) digits
the maximum number length (excluding the International Prefix) is fifteen (15) digits.

Country code = 252

International Prefix = 00

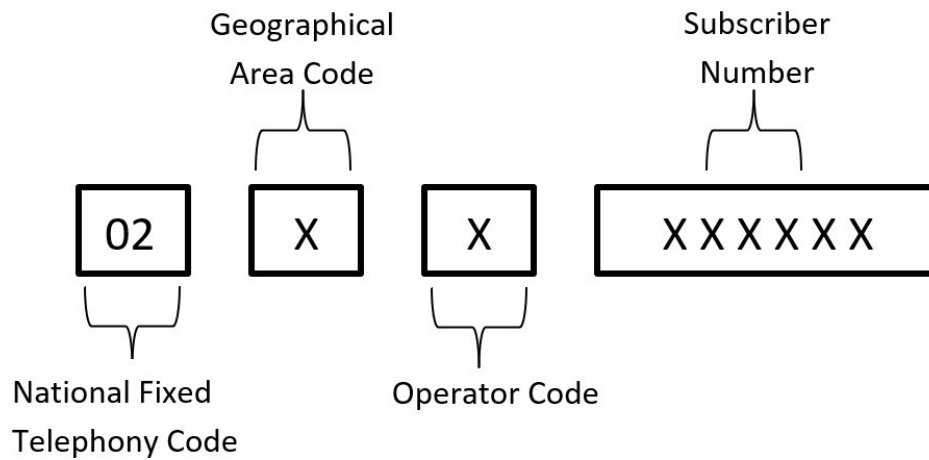
National Prefix = 0

A1 National Access Codes Format

National Codes	Services
01	Reserved
02	Fixed Telephone service
03	Reserved for future
04	Reserved for future
05	Reserved for future
06	Mobile services
07	Mobile services
08	The Special services such as Toll Free
09	Reserved for special Services

A2 Fixed Telephony Services Codes Format

Fixed telephone services codes follow this format:



Part B: Geographical and Non Geographical Telephony Services

B1: Fixed Telephony Services:

National Destination Code (NDC) for fixed telephony	Area Code	Geographical Area
02	1	Banadir Region
02	2	Somaliland
02	3	Jubbaland
02	4	SouthWest
02	5	Puntland
02	6	Hirshabelle
02	7	Galmudug
02	8	Reserved
02	9	Reserved

B2: Fixed Telephony Services

Fixed Telephony Services (Geographic Number Ranges) = 02XX			
Code	Area	Number Length	Operator
0211	Banaadir	Ten	TBD
0212	Banaadir	Ten	TBD
0213	Banaadir	Ten	TBD
0214	Banaadir	Ten	TBD
0215	Banaadir	Ten	TBD
0216	Banaadir	Ten	TBD
0217	Banaadir	Ten	Reserved
0218	Banaadir	Ten	Reserved
0219	Banaadir	Ten	Reserved
0221	Somaliland	Ten	TBD
0222	Somaliland	Ten	TBD
0223	Somaliland	Ten	TBD
0224	Somaliland	Ten	Reserved
0225	Somaliland	Ten	Reserved

0231	Jubaland	Ten	TBD
0232	Jubaland	Ten	TBD
0233	Jubaland	Ten	TBD
0234	Jubaland	Ten	Reserved
0235	Jubaland	Ten	Reserved
0241	Southwest	Ten	TBD
0242	Southwest	Ten	TBD
0243	Southwest	Ten	TBD
0244	Southwest	Ten	Reserved
0245	Southwest	Ten	Reserved
0251	Puntland	Ten	TBD
0252	Puntland	Ten	TBD
0253	Puntland	Ten	TBD
0254	Puntland	Ten	Reserved
0255	Puntland	Ten	Reserved
0261	Hirshabelle	Ten	TBD
0262	Hirshabelle	Ten	TBD

0263	Hirshabelle	Ten	TBD
0264	Hirshabelle	Ten	Reserved
0265	Hirshabelle	Ten	Reserved
0271	Galmudug	Ten	TBD
0271	Galmudug	Ten	TBD
0271	Galmudug	Ten	TBD
0271	Galmudug	Ten	Reserved
0271	Galmudug	Ten	Reserved

B3: Non-Geographic for Mobile Telephony Services

National Destination Code (NDC)	National Significant Number (NSN) Length		Use of E.164 Number	Remarks
	Maximum Length	Minimum Length		
60	9	9	Non-Geographic Number for mobile Telephony Services- Golis Telecom	Golis Telecom
61	9	9	Non-Geographic Number for mobile Telephony Services-Hormuud Telecom	Hormuud Telecom
62	9	9	Non-Geographic Number for mobile Telephony Services- Somtel Telecom	Somtel Telecom
63	9	9	Non-Geographic Number for mobile Telephony Services- Telesom Company	Telesom Company

64	9	9	Non-Geographic Number for mobile Telephony Services	
65	9	9	Non-Geographic Number for mobile Telephony Services- Somtel Telecom	Somtel Telecom
66	9	9	Non-Geographic Number for mobile Telephony Services- Somtel Telecom	Somtel Telecom
67	9	9	Non-Geographic Number for mobile Telephony Services- Telsom Company	Telsom Company
68	9	9	Non-Geographic Number for mobile Telephony Services-Hormuud Telecom	Hormuud Telecom
69	9	9	Non-Geographic Number for mobile Telephony Services- Nationlink Telecom	Not Operational
70	9	9	Non-Geographic Number for mobile Telephony Services- Golis Telecom	Golis Telecom
71	9	9	Non-Geographic Number for mobile Telephony Services-Amtel LTD	Amtel LTD
72	9	9	Non-Geographic Number for mobile Telephony Services- Golis Telecom	Golis Telecom
73	9	9	Non-Geographic Number for mobile Telephony Services- Telesom Company	Telesom Company
74	9	9	Non-Geographic Number for mobile Telephony Services	
75	9	9	Non-Geographic Number for mobile Telephony Services-Amtel LTD	Amtel LTD
76	9	9	Non-Geographic Number for mobile Telephony Services-Somtel Somalia	Somtel Somalia

77	9	9	Non-Geographic Number for mobile Telephony Services-Hormuud Telecom	Hormuud Telecom
78	9	9	Non-Geographic Number for mobile Telephony Services-Hormuud Telecom	Hormuud Telecom
79	9	9	Non-Geographic Number for mobile Telephony Services	No in use

Part C: National Emergency Services

Short Codes	Services
999	Ambulance
111,991and 888	Police
114	Fire brigade
113	Anti-corruption

112	Emergency
116	Child help Line

PART D: CODES

D1: International Signalling Point Codes (ISPC's)

The following International Signalling Point Codes are assigned currently to operators in accordance with ITU-T Recommendation Q708):

The list will be updated after completing the assignment of numbering. Will be updated after officially assigning the numbers.

ISPC	Unique name of the Signalling Point	Name of the Signalling Point Operator	Country where Signalling Point is to be put into service under sub clause 7.9a
6-074-0	12880	Somtel Somalia	
6-074-1	12881	Somtel Somalia	
6-074-2	12882	Hormuud Telecom	
6-074-4	12884	Golis Telecom	
6-074-6	12886	Amtel LTD	
6-074-8	12888	Somtel Ltd.	
6-074-9	12889	Somtel Telecommunication Company	
6-075-0	12888	Golis Telecom	
6-075-1	12889	Golis Telecom	
6-075-2	12890	Golis Telecom	
6-075-1	12889		
6-075-2	12890		
6-075-6	12894	Amtel LTD	

D2: Mobile Network Codes

(MNC's)D3: Mobile Money Codes

D3.1 Mobile Money Short Codes for Golis Telecom

800 Series	
888	Mobile money access code
881	Show Balance
882	Prepaid
883	Send money
884	Payment bills
886	Send the bank account
889	Cash out

D3.2 Mobile Money Short Codes for Golis Hormuud Telecom
700 Series

700 Series	
770	Mobile money access code
711	Show Balance

712	Send money
713	Prepaid
789	Payment bills
799	Send the bank account

D.3.3 Mobile Money Short Codes for SOMTEL Somalia

100 Series	
111	Mobile money access code
110	Show Balance
110	Send money
113	Payment bills
114	Prepaid
115	Cash out

D3.4 Mobile Money Short Codes for Telesom Somalia

800 Series	
888	Mobile money access code
880	Send money
881	Prepaid
882	Show balance
883	Payment bills
884	Cash out
885	Internet recharge
889	Send the bank account